

Preliminary Product Brief

802.11 b/g/n

May 2010

Rev. 1.2

USB 2.0 Based - Processor Agnostic - 1x1 Single Stream

General Description

The W2SW0011u is a highly integrated wireless local area network (WLAN) system-on-chip (SoC), based on the 802.11 n industry standard. Designed for handheld or portable warehousing/logistics, medical and industrial applications, it is a complete 802.11 b/g/n WiFi solution that includes the crystal, switch, all filtering, local memory for MAC address storage and diagnostics capability.

Features

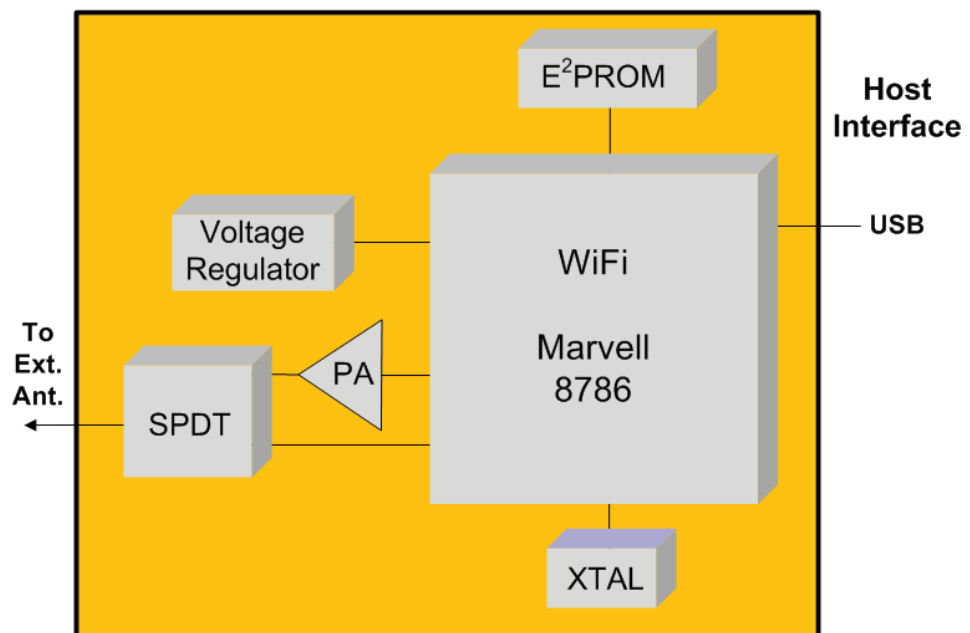
- USB2.0 Interface for easy host connection
- Highly integrated CMOS module
- Low power single supply operation
- 60 pad surface mount module
- Optimized RF and electrical design for better performance in co-existence with other wireless standards
- 802.11n features for high throughput and extended range
- Backward compatible with 802.11 b,g
- WEP, WPA, WPA2 (WiFi Protected Access)
- ROHS compliant

Applications

- Video Streaming and Telephony
- Video Conferencing
- WiFi Enabled Security Cameras
- Internet-Enabled Consumer Devices
- Warehousing and Logistics Handhelds
- Automotive Aftermarket
- Medical Imaging, Monitoring & Equipment
- Industrial Handhelds
- M2M Applications
- VoFi and Other Smart Phones

Specifications

- Package Dimensions:
15mm x 15 mm
- Temperature Range:
0 to +70C
- Interfaces:
USB 2.0 High Speed
- Power Ratings:
200 mA
- WiFi Transmit Power
Up to 15dBm



The preliminary specification is intended for advance information only, and is subject to change without notification.